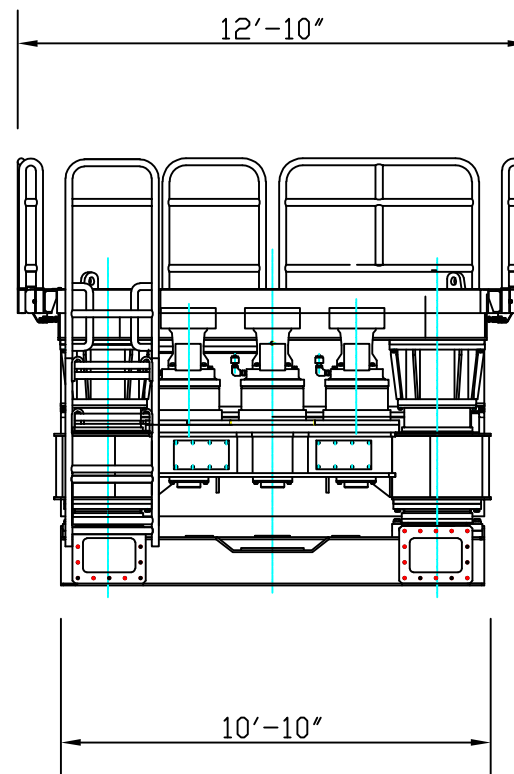
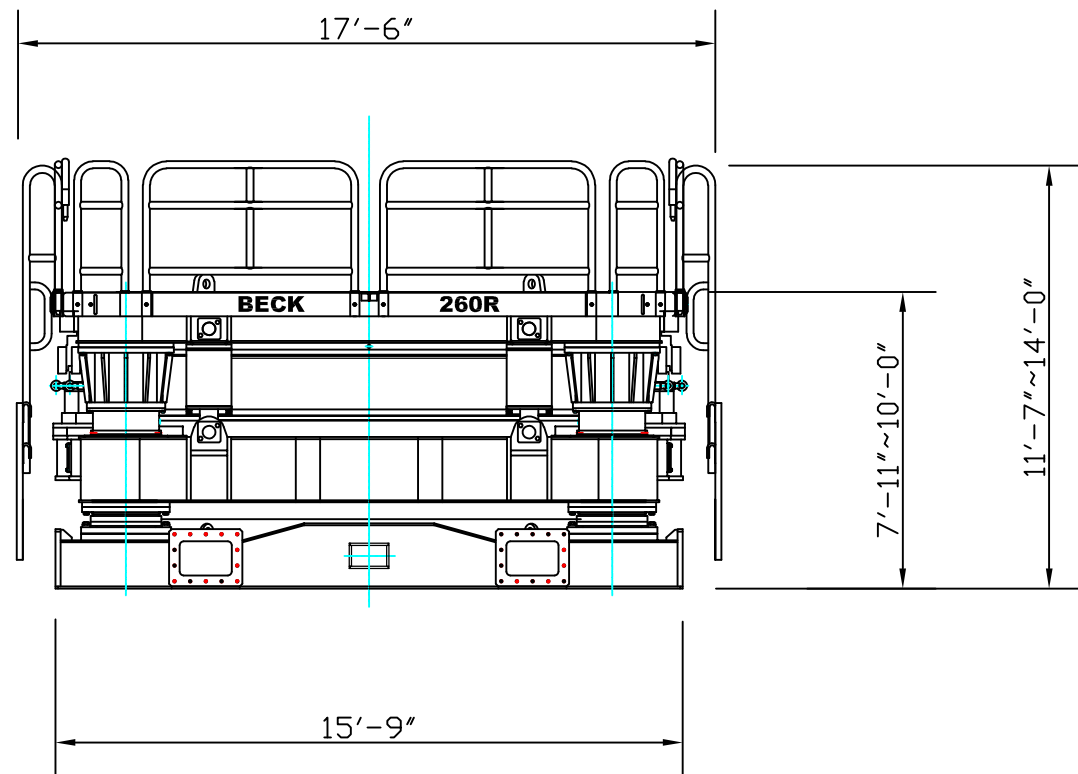


BECK MODEL 360
DRILL RIG

BECK MODEL 260R
CASING ROTATOR



SPECIFICATIONS		
CASING DIAMETER	(in)	$\phi 48 \sim \phi 102$
WORKING TORQUE	(lb-ft)	3,903,178
MAXIMUM TORQUE	(lb-ft)	4,553,708
ROTARY SPEED	(rpm)	.6 ~ 1.8
CROWD FORCE	(lb)	265,275
EXTRACTING FORCE	(lb)	935,205
STROKE	(in)	30
WEIGHT	(lb)	116,845
POWERPACK ENGINE	Tier IV Final	(hp) 765

SPECIAL FEATURES	
1)	U.S. MANUFACTURED HYDRAULIC POWER PACK
2)	U.S. CONTROL SYSTEMS
3)	CAT C-18 TIER IV FINAL POWER UNIT
4)	ELECTRIC OVER HYDRAULIC CONTROL SYSTEM

OPTIONAL SIZES	CASING DIAMETER	
150R AND 150R TRACK MOUNTED	(in)	$\phi 32 \sim \phi 60$
200R AND 200R TRACK MOUNTED	(in)	$\phi 40 \sim \phi 78$
260R (Detailed)	(in)	$\phi 48 \sim \phi 102$
320R	(in)	$\phi 78 \sim \phi 126$

DRAWN	4/27/2019	A. H. Beck Foundation Co., Inc. Converse, Texas 78109 210-342-5261	
CHECKED		TITLE	
QA		BECK MODEL 260R	
MFG		CASING ROTATOR	
APPROVED		SIZE	REV
		B	A
		SCALE	DWG NO
			BECK-260R.00
		SHEET 1 OF 1	